



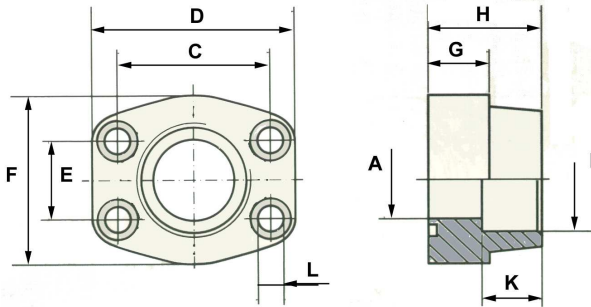
# Balfit<sup>®</sup> SAE Flanged Connections

## Balfit<sup>®</sup> 3000 PSI Weld-In Flange for BSP Pipe – 88.3400

carbon steel flange for 3000 PSI (code 61) hydraulic lines, with BSP pipe weld-in connection

## Balfit<sup>®</sup> 6000 PSI Weld-In Flange for BSP Pipe – 88.6400

carbon steel flange for 6000 PSI (code 62) hydraulic lines, with BSP pipe weld-in connection



According to ISO 6162 According to SAE J518

Material: Forged carbon steel

Finish: Zinc-plated

Part Number	Nominal Size	Working Pressure	Dimensions (mm)										for bolts	
	inch		bar	A	B	C	D	E	F	G	H	K	L	M
88.3400.08	1/2	345	13	21,6	38	57	17	46	16	36	19	9	M8	5/16
88.3400.0806	1/2	345	13	17,5	38	57	17	46	16	36	19	9	M8	5/16
88.3400.12	3/4	345	19	27,2	48	65	22	50	18	36	19	11	M10	3/8
88.3400.16	1	345	25	34,0	52	70	26	55	18	38	19	11	M10	3/8
88.3400.20	1.1/4	276	32	42,8	59	79	30	68	21	41	21	12	M10	7/16
88.3400.24	1.1/2	207	38	48,6	70	93	36	78	25	45	25	14	M12	1/2
88.3400.32	2	207	51	61,0	78	102	43	90	25	45	25	14	M12	1/2

88.6400.08	1/2	414	13	21,6	40	57	18	46	16	36	19	9	M8	5/16
88.6400.0806	1/2	414	13	17,5	40	57	18	46	16	36	19	9	M8	5/16
88.6400.12	3/4	414	19	27,2	51	71	24	55	21	35	22	11	M10	3/8
88.6400.16	1	414	25	34,0	57	81	28	65	25	42	22	13	M12	7/16
88.6400.20	1.1/4	414	32	42,8	67	95	32	78	27	45	25	15	M14	1/2
88.6400.24	1.1/2	414	32	42,8	67	95	32	78	27	45	25	15	M14	1/2
88.6400.32	2	414	38	48,6	79	112	37	94	30	50	28	17	M16	5/8

also available:

### Balfit<sup>®</sup> Stainless Steel Weld-In Flange for BSP pipe

(add an "S" at the end of the part number: ex: 88.3400.08 S)

### Balfit<sup>®</sup> Weld-In Counter-Flange for BSP pipe (without o-ring groove)

(change to 1 the 5th digit of the part number: ex: 88.3401.08; also available in stainless steel)

### Balfit<sup>®</sup> Weld-In 90° Elbow Flange for BSP pipe

(change to 3 the 5th digit of the part number: ex: 88.3403.08; also available in stainless steel)

### Balfit<sup>®</sup> Weld-In Flange for Metric pipe

(change to 1 the 4th digit of the part number: ex: 88.3410.08; also available in stainless steel)

### Balfit<sup>®</sup> Weld-In Counter-Flange and 90° Elbow Flange for Metric pipe

(also available in stainless steel)

Construction characteristics and dimensions may be changed at any time without prior notice.

The data contained herein is information purposes only and does not enlarge, amend or imply any warranty other than provided by the manufacturer with the product. Any use of the product not in conformance with the manufacturer's instructions may be dangerous.

Only items in this catalogue are carried in stock. Some items are subjected to minimum quantities or sold only in multiples of standard quantities. Please refer to the price list or contact our commercial department.

**Balflex<sup>®</sup> – The European Technology**